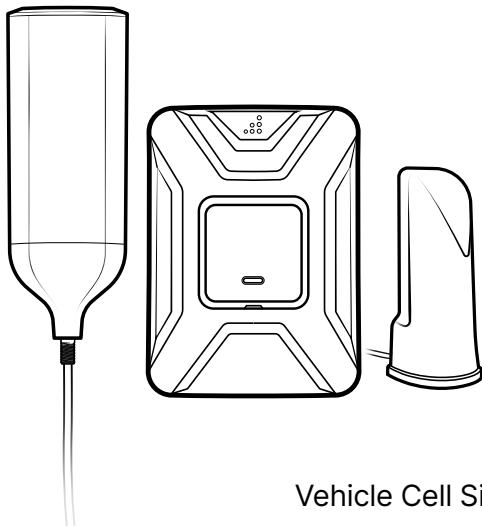


we:boost

Installation Guide



Drive X RV
Vehicle Cell Signal Booster Kit

Use our **weBoost App** to guide you through the installation. See inside page for more details.

Download the weBoost App

Use our app to guide you through setting up a weBoost cell phone signal booster in your home, business, or vehicle. Boost every network, including 5G, right away.



Index

Package Contents	1
Installation Overview	2
STEP 1 Select Mounting Location & Assemble the Outside Antenna	3
STEP 2 Select Inside Antenna Location.	8
STEP 3 Select Booster Location.	9
STEP 4 Connect Coax Cables to Booster	10
STEP 5 Connect Power Supply to Booster	11
Using the Optional Cable Entry Accessories	12
Measuring Booster Performance	13
Booster Light Patterns	15
Troubleshooting	17
Safety Guidelines.	19
Specifications.	22
Warranty	23

Package Contents



Drive X Booster
& Bracket



Inside
Antenna



Outside Antenna
& 25 ft. RG-6
Cable



Mast Extension,
Side-Exit Adapter,
Spring & Thread
Lock Packs



Outside
Antenna
Ladder
Mount



AC/DC Wall
Power Supply

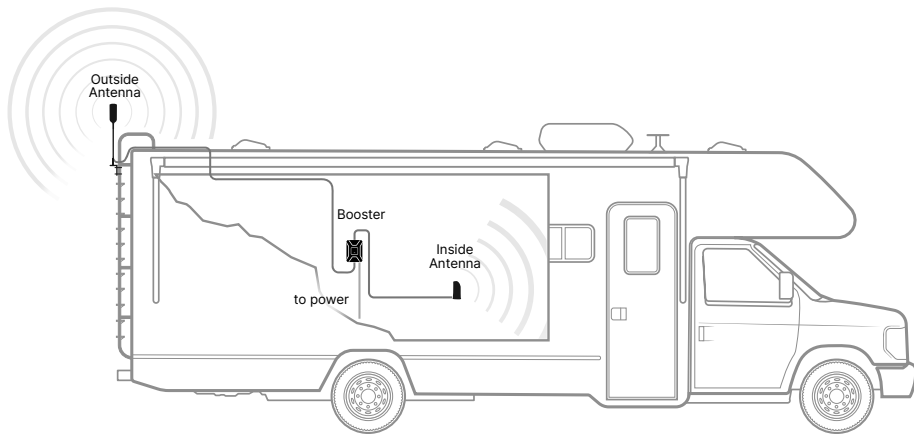


DC/DC Hardwire
Power Supply



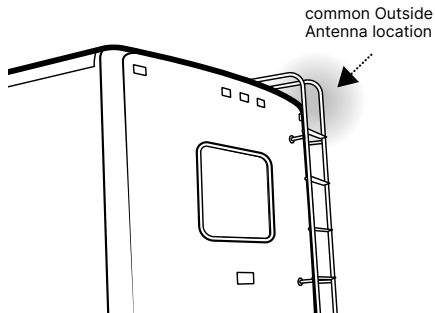
Installation
Accessories

Installation Overview



STEP 1 Select Mounting Location & Assemble the Outside Antenna

Determine where you want the outside antenna on your RV. Mount outside antenna to a ladder or pole so that the entire outside antenna is above the roof line of the RV and clear of other metal obstructions.



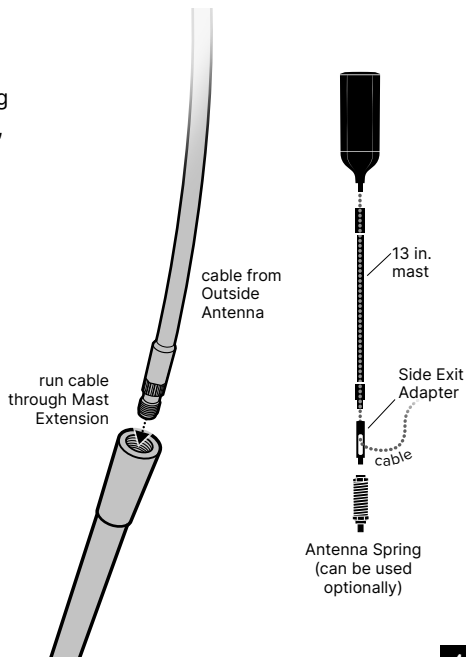
Important

NOTE: Keep in mind to stay below the maximum height limit allowed by law, which varies from state to state (generally 14' in western states and 13'6" in eastern states).



(STEP 1 cont.)

After determining outside antenna mounting location and assembly is the correct height, **insert coax cable through mast extension (mast can be used optionally), then through side-exit adapter.**

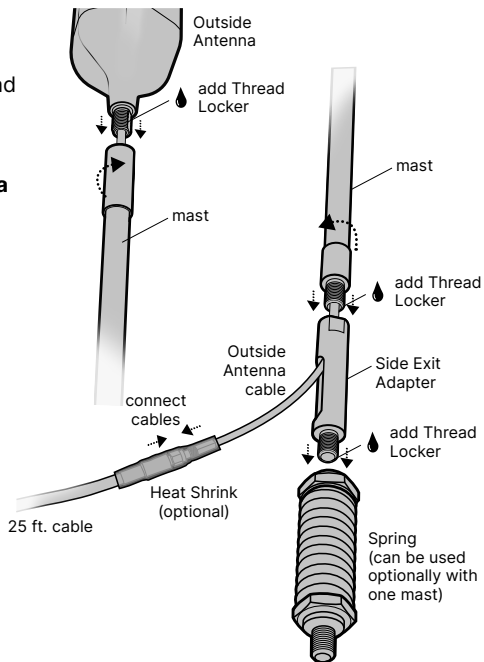


(STEP 1 cont.)

Apply the thread locker precisely to thread points only (not plastic body of antenna).

Screw mast onto antenna.

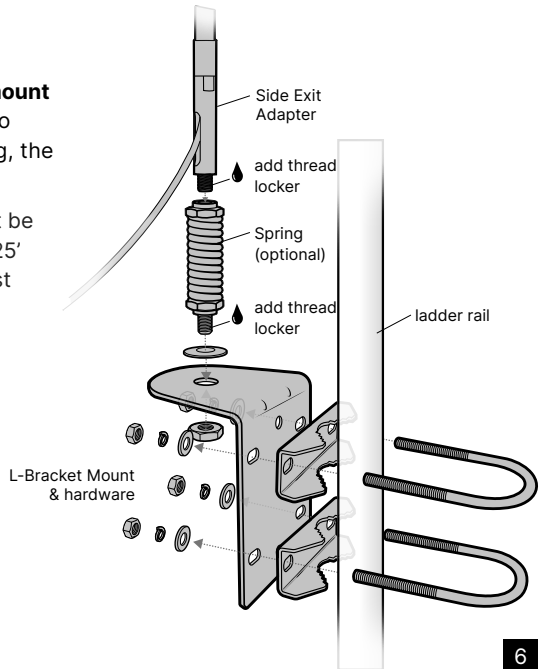
Connect 25 foot cable to outside antenna cable. Heat shrink tube can be applied to the connection (optional).



(STEP 1 cont.)

Mount outside antenna. L-bracket mount and hardware is provided to mount to ladder or pole. If installing with spring, the side exit adapter must be used.

NOTE: Outside antenna location must be within reach of the booster with the 25' coax cable. The system performs best with maximum vertical and horizontal separation.



(STEP 1 cont.)

Route cable into the RV.

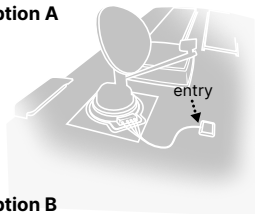
Option A: Using existing cable entry point.

Option B: Through the slider on your RV
(using the slider gasket as a seal).

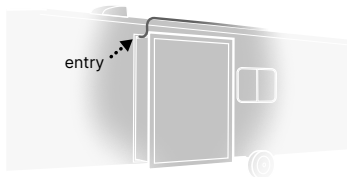
Option C: Drill a hole with the included hole saw bit. **WARNING:** Be sure to stay clear of any power, pipes, etc. that may be damaged.

NOTE: We recommend doing a **'soft install'** before drilling the hole. Set up the system by routing the cable through an open door or window, completing the setup instructions, verifying the system works as desired, and then drilling the hole.

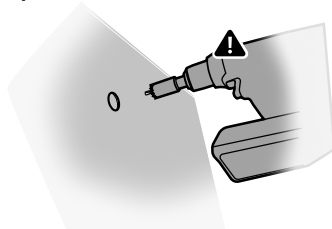
Option A



Option B

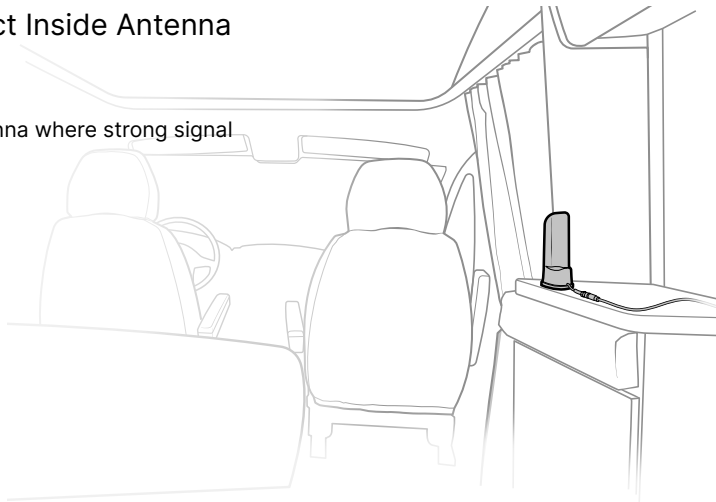


Option C



STEP 2 Select Inside Antenna Location

Place inside antenna where strong signal is desired.



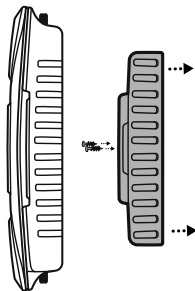
STEP 3 Select Booster Location

Find a location to place the booster, then mount by **removing the bracket from back side of booster** and fasten to desired surface. Snap booster back into bracket.

NOTE: We recommend mounting in a cabinet near a power source. Be sure it's in a location that cables from both inside and outside antennas can reach.



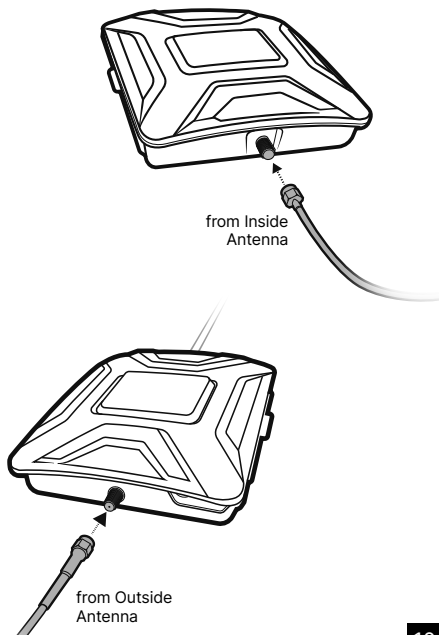
common booster location



STEP 4 Connect Coax Cables to Booster

Connect the coax cable from the inside antenna to the port labeled “Inside Antenna” on the booster. Then **connect the cable** from the outside antenna to the port labeled “Outside Antenna” on the booster.

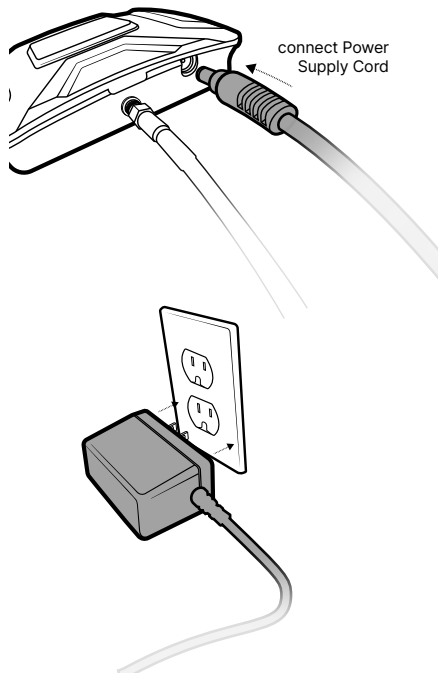
Note: All connections should be finger tightened only.



STEP 5 Connect Power Supply to Booster

Connect power cable to booster, then into 110V wall plug and enjoy!

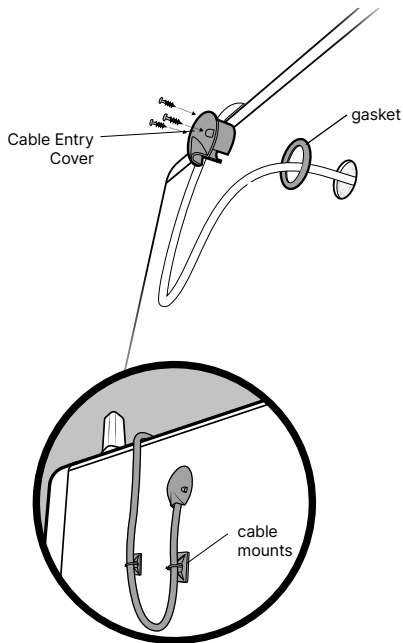
NOTE: A fused 12V hardwire power supply is also included.



Using The Optional Cable Entry Accessories

Skip if you used Option A or B in STEP 1. Pull the RG-6 cable through the rubber gasket, then place the cable entry cover into the entry hole (as shown below) and fasten cover to side of RV. Use the cable mounts and ties to secure to the RV.

NOTE: We recommend putting a loop going up to the cable entry hole to prevent moisture from entering the RV. **We strongly recommend using an RTV sealant from the inside to prevent moisture, insects, and other undesired things from entering the RV.**



Measuring Booster Performance

We've created an easy way to learn your signal strength and compare it before and after a booster. **Download our free weBoost app** to get accurate decibel measurements to help you get the best performance from your system.



(Measuring Booster Performance cont.)

Signal Strength (dBm) with weBoost system powered **OFF**: _____
(dBm here)

Signal Strength (dBm) with weBoost system powered **ON**: _____
(dBm here)

Compare Results

Compare the decibels (dBm) on the chart below to find what signal strength you fall into.

Signal Strength	Excellent	Good	Fair	Poor	Dead Zone
3G/1x	-70dBm	-71 to -85dBm	-86 to -100dBm	-101 to -109dBm	-110dBm
4G/LTE	-90dBm	-91 to -105dBm	-106 to -110dBm	-111 to -119dBm	-120dBm

Did you know a signal increase of just 3dB is 2 times the power and signal amplification!

Gain Improvement	Signal Improvement
3dB	 2X
6dB	 4X
10dB	 10X
20dB	 100X

Booster Light Patterns

SOLID GREEN

This indicates that your booster is functioning properly and there are no issues with installation.

SOLID RED

Band has shutoff. This is due to a feedback loop condition called oscillation. This is a built in safety feature that causes a band to shut off to prevent harmful interference with a nearby cell tower. Refer to Troubleshooting section.

BLINKING RED, THEN SOLID GREEN

This indicates that one or more of the booster bands has reduced power due to a minor feedback loop condition called oscillation. This is a built in safety feature to prevent harmful interference with a nearby cell tower. If you are already experiencing the desired signal boost, then no further adjustments are necessary. If you are not experiencing the desired boost in coverage then refer to the Troubleshooting section.

LIGHT OFF

If the signal booster's light is off, verify your power supply has power.

(Booster Light Patterns cont.)

NOTE: The signal booster can be reset by disconnecting and reconnecting the power supply.

After troubleshooting, you must initiate a new power cycle by disconnecting and then reconnecting power to the booster.

Troubleshooting

FIXING BLINKING OR RED LIGHT ISSUES

This section is only applicable if the light on the booster is red or blinking red and you are not experiencing the desired signal boost.

- 1 Unplug the booster's power supply.
- 2 Relocate the inside and outside antenna further from each other. The objective is to increase the separation distance between them, so that they will not create this feedback condition discussed before.
- 3 Plug power supply back in and ensure switch is in ON position.
- 4 Monitor the indicator light on your booster. If, after a few seconds of 'power on', a solid or blinking red light appears, repeat steps 1 through 3. Increase the separation distance until the condition is corrected and/or desired coverage area is achieved.
Note: Horizontal separation of the two antennas typically requires a shorter separation distance than vertical separation.

If you are having any difficulties while testing or installing your booster, contact our weBoost Customer Support team for assistance (1-866-294-1660).

(Troubleshooting cont.)


FREQUENTLY ASKED QUESTIONS

How can I contact customer support?


Customer Support can be reached Monday through Friday by calling 1-866-294-1660, or through our support site at support.weboost.com.

Why do I need to create distance between the outside antenna and inside antenna?

Antennas connected to a booster create spheres of signal. When these spheres overlap, a condition called oscillation occurs. Oscillation can be thought of as noise, which causes the booster to scale down its power or shut down to prevent damage. The best way to keep these spheres of signal from overlapping is to maximize separation between the inside and outside antennas.

 1-866-294-1660

 www.weboost.com

 support@weboost.com

Safety Guidelines

Use only the power supply provided in this package. Use of a non-weBoost product may damage your equipment.

The signal booster unit is designed for use in an indoor, temperature-controlled environment (less than 150 degrees Fahrenheit). It is not intended for use in attics or similar locations subject to temperatures in excess of that range.

The desktop antenna must have at least 3' of separation distance from all active users. All inside panel and dome antennas must have at least 6' of separation distance from all active users, and low profile antennas must have at least 1.5' separation distance from all active users.

Connecting the signal booster directly to the cell phone with use of an adapter will damage the cell phone.

RF Safety Warning: Any antenna used with this device must be located at least 8 inches from all persons.

AWS Warning: The outside antenna must be installed no higher than 32 feet 9 inches (10 meters) above ground.

This is a CONSUMER device.

BEFORE USE, you **MUST REGISTER THIS DEVICE** with your wireless provider and have your provider's consent. Most wireless providers consent to the use of signal boosters. Some providers may not consent to the use of this device on their network. If you are unsure, contact your provider.

In Canada, **BEFORE USE** you must meet all requirements set out in ISED CPC-2-1-05.

You **MUST** operate this device with approved antennas and cables as specified by the manufacturer. Antennas **MUST** be installed at least 20 cm (8 inches) from (i.e., **MUST NOT** be installed within 20 cm of) any person.

You **MUST** cease operating this device immediately if requested by the FCC (or ISED in Canada) or licensed wireless service provider.

WARNING. E911 location information may not be provided or may be inaccurate for calls served by using this device.

(Safety Guidelines cont.)

FOR MORE INFORMATION ON REGISTERING YOUR SIGNAL BOOSTER WITH YOUR WIRELESS PROVIDER IN THE U.S., PLEASE GO TO THE LINK BELOW:

<https://www.weboost.com/carrier-registration>

Antenna Info

The following accessories are certified by the FCC to be used with the Drive X Booster.

This radio transmitter 4726A-460021 has been approved by Innovation, Science and Economic Development Canada to operate with the antenna types listed below, with the maximum gain indicated. Antenna types not included in this list that have a gain greater than the maximum gain indicated for any type listed are strictly prohibited for use with this device.

	BAND 12/17	BAND 13	BAND 5	BAND 4	BAND 25/2
Outside antenna maximum permissible antenna gain (dBi) 50Ω	4.5	4.2	4.6	3.81	4.74
Inside antenna maximum permissible antenna gain (dBi) 50Ω	4.16	4.16	6.09	6.66	9.77

MOBILE INSIDE ANTENNA KIT OPTIONS

Kit #	Coax Type	Ln(ft)	Antenna Type	Ω
314401	LMR-100	10	Low Profile In-Vehicle SMA	50

MOBILE OUTSIDE ANTENNA KIT OPTIONS

Kit #	Coax Type	Ln(ft)	Antenna Type	Ω
311229	LMR195	15	OTR Antenna Truck Edition	50
301126	LMR-100	10	Mini-Mag Antenna SMA	50
314405	RG-58	14	NMO Vehicle Antenna	50
311125	RG-174	12.5	12" Mag Mount	50

Specifications

Drive X Cell Signal Booster					
Model	460021				
FCC	PWO460021				
IC	4726A-460021				
Connectors	SMA-Female				
Antenna Impedance	50 Ohms				
Frequency	699-716 MHz, 729-756 MHz, 777-786 MHz, 824-894 MHz, 1850-1995 MHz, 1710-1755 MHz/2110-2155 MHz				
Power output for single cell phone (Uplink) dBm	700 MHz B12/17 24.84	700 MHz B13 24.35	800 MHz B5 23.4	1700 MHz B4 21.3	1900 MHz B2 24.43
Power output for single cell phone (Downlink) dBm	2.87	2.79	2.8	2100 MHz B4 2.0	1.92
Noise Figure	5 dB (nominal)				
Power Requirements	6V 2A / 12V DC 110-240 V AC, 50-60 Hz, 8 W				

Each Signal Booster is individually tested and factory set to ensure FCC compliance. The Signal Booster cannot be adjusted without factory reprogramming or disabling the hardware. The Signal Booster will amplify, but not alter incoming and outgoing signals in order to increase coverage of authorized frequency bands only. If the Signal Booster is not in use for five minutes, it will reduce gain until a signal is detected. If a detected signal is too high in a frequency band, or if the Signal Booster detects an oscillation, the Signal Booster will automatically turn the power off on that band. For a detected oscillation the Signal Booster will automatically resume normal operation after a minimum of 1 minute. After 5 (five) such automatic restarts, any problematic bands are permanently shut off until the Signal Booster has been manually restarted by momentarily removing power from the Signal Booster. Noise power, gain, and linearity are maintained by the Signal Booster's microprocessor.

The term "IC" before the radio certification number only signifies that Industry Canada technical specifications were met. This device complies with Part 15 of FCC rules. This device contains licence-exempt transmitter(s)/receiver(s) that comply with Innovation, Science and Economic Development Canada's licence-exempt RSS(s). Operation is subject to the following two conditions: (1) This device may not cause interference, and (2) This device must accept any interference, including interference that may cause undesired operation of the device. Changes or modifications not expressly approved by weBoost could void the authority to operate this equipment.

✔ 2 YEAR WARRANTY

weBoost Signal Boosters are warrantied for two (2) years against defects in workmanship and/or materials. Warranty cases may be resolved by returning the product directly to the reseller with a dated proof of purchase.

Signal Boosters may also be returned directly to the manufacturer at the consumer's expense, with a dated proof of purchase and a Returned Material Authorization (RMA) number supplied by weBoost. weBoost shall, at its option, either repair or replace the product.

This warranty does not apply to any Signal Boosters determined by weBoost to have been subjected to misuse, abuse, neglect, or mishandling that alters or damages physical or electronic properties.

Replacement products may include refurbished weBoost products that have been recertified to conform with product specifications.




RMA numbers may be obtained by contacting Customer Support.

DISCLAIMER: The information provided by weBoost is believed to be complete and accurate. However, no responsibility is assumed by weBoost for any business or personal losses arising from its use, or for any infringements of patents or other rights of third parties that may result from its use.

we:boost



3301 East Deseret Drive, St. George, UT

 1-866-294-1660  www.weboost.com  support@weboost.com

Copyright © 2019 weBoost. All rights reserved. weBoost products covered by U.S. patent(s) and pending application(s)
For patents go to: weboost.com/us/patents

NOT AFFILIATED WITH WILSON ANTENNA

GDE000590_Rev01_03.26.24